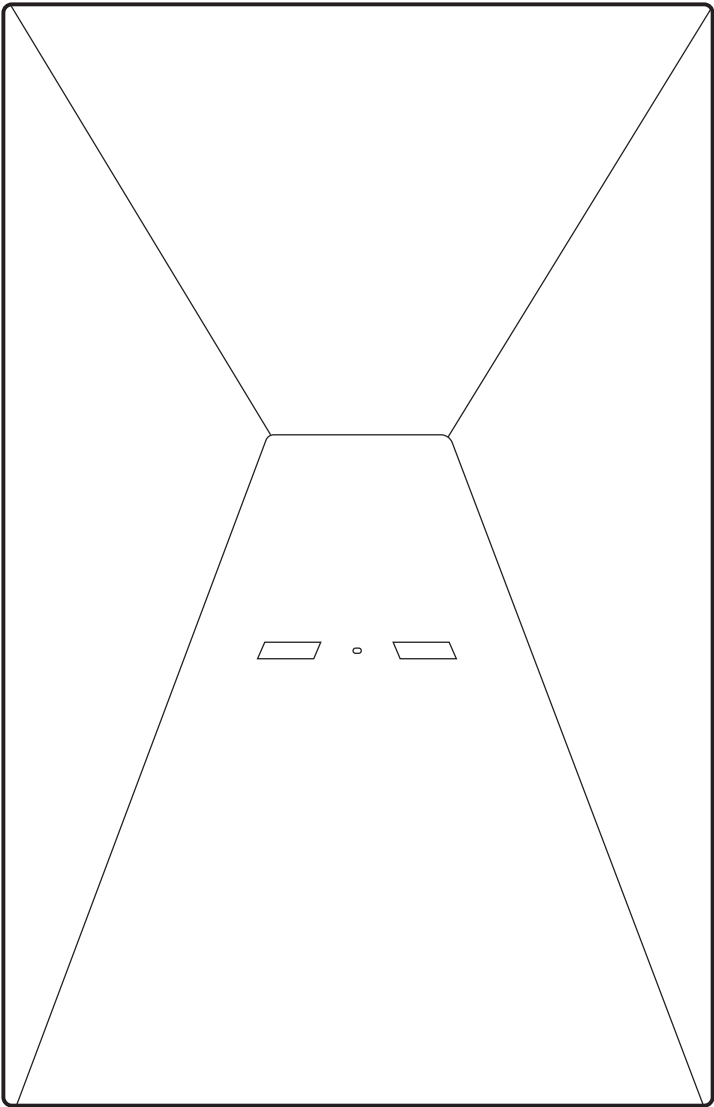
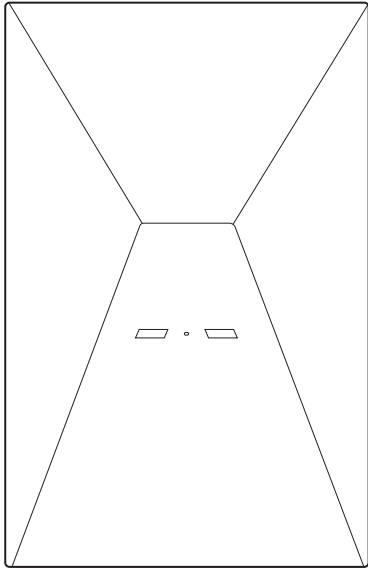


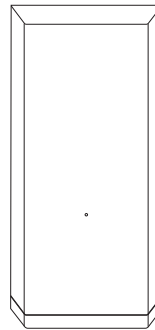
STARLINK | ENTERPRISE SPECIFICATIONS



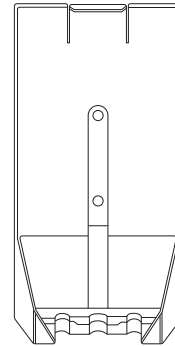
What's In The Box



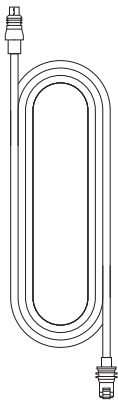
Standard



Power Supply

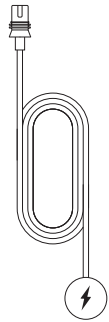


Power Supply Mount



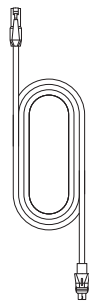
Enterprise Cable

50 m
(164 ft)



AC Power Cable

1.8 m
(6 ft)



Ethernet Cable

5 m
(16.5 ft)



Screws

4x



Wall Anchors

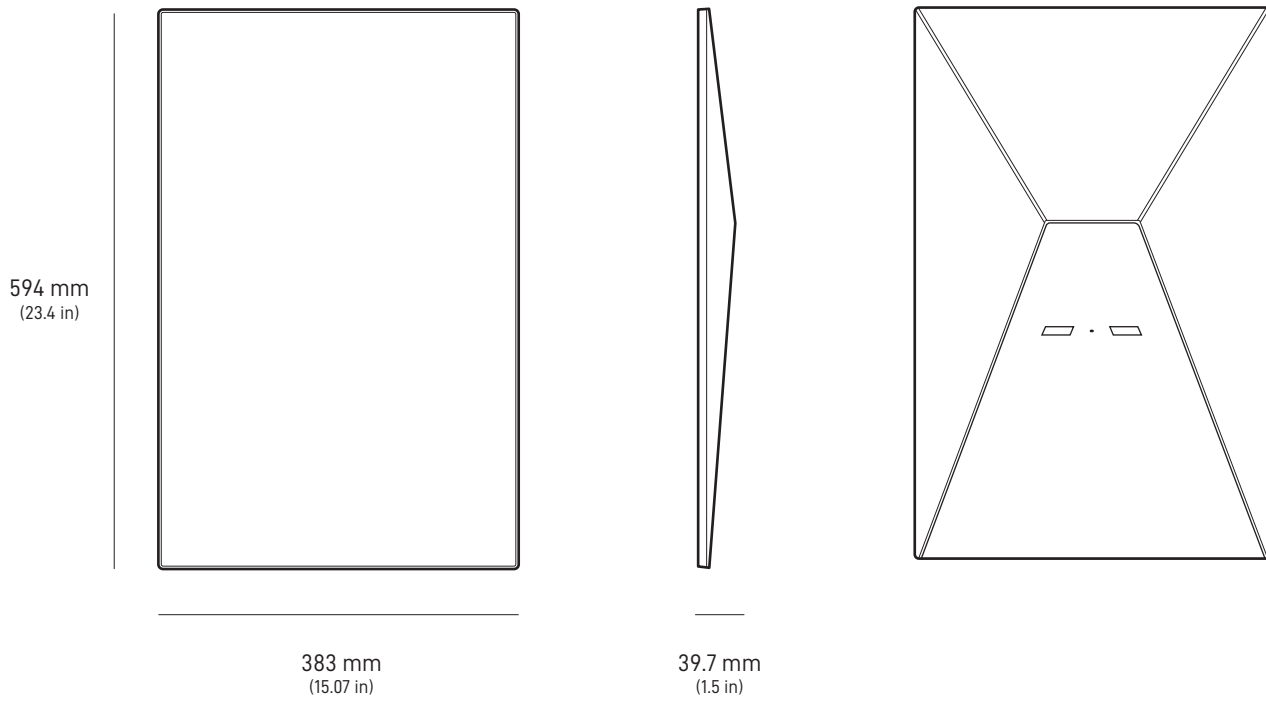
4x

Package Weight

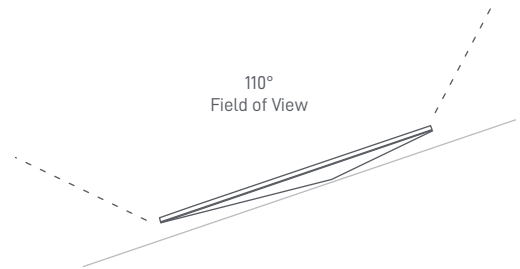
12.2 kg (27 lbs)

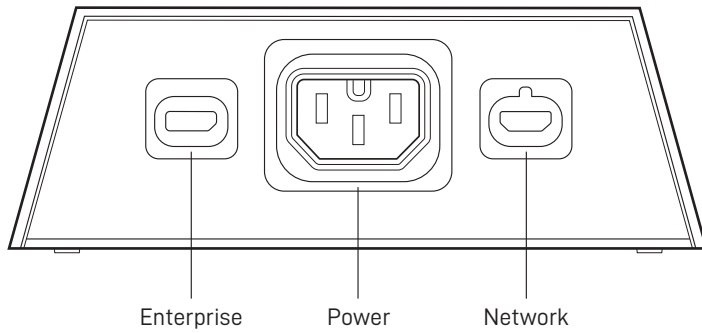
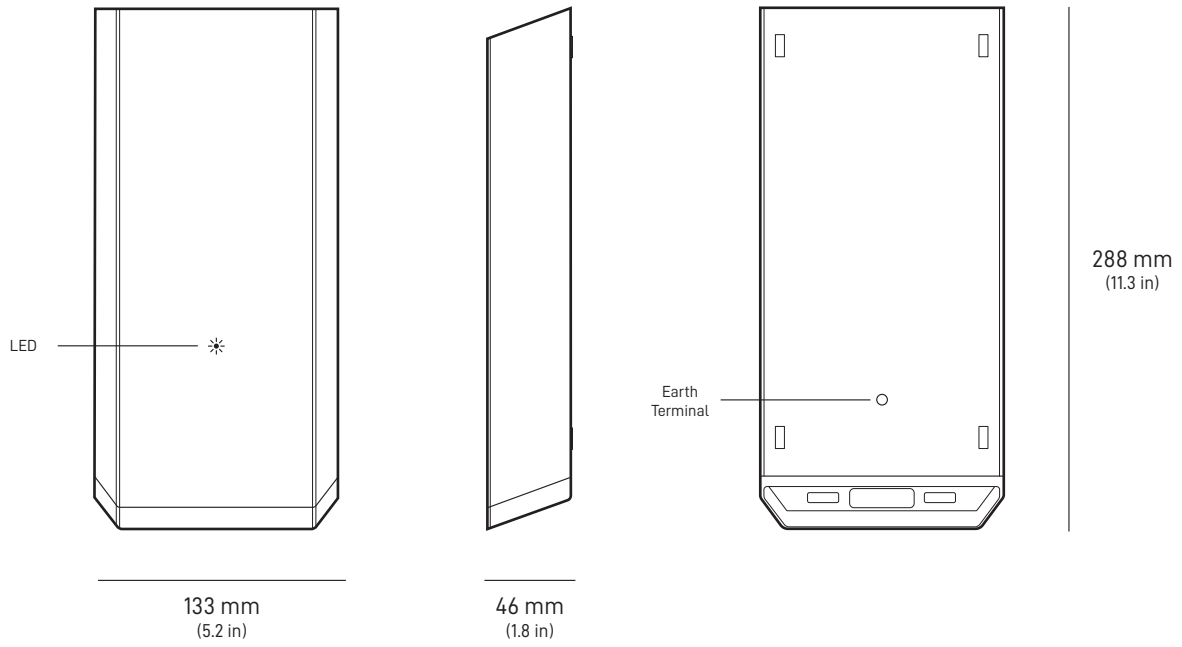
Package Dimensions

478.1 x 685.9 x 160.1 mm (18.8 x 27 x 6.3 in)

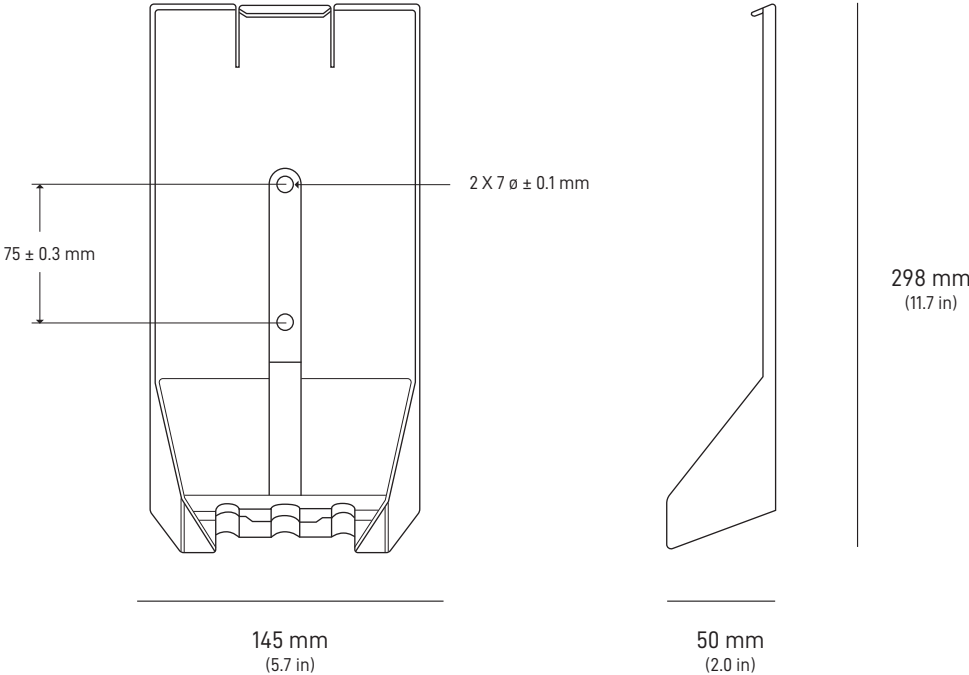


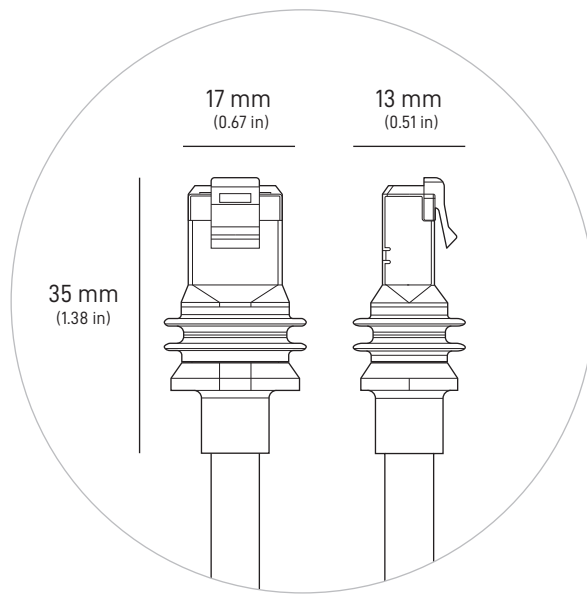
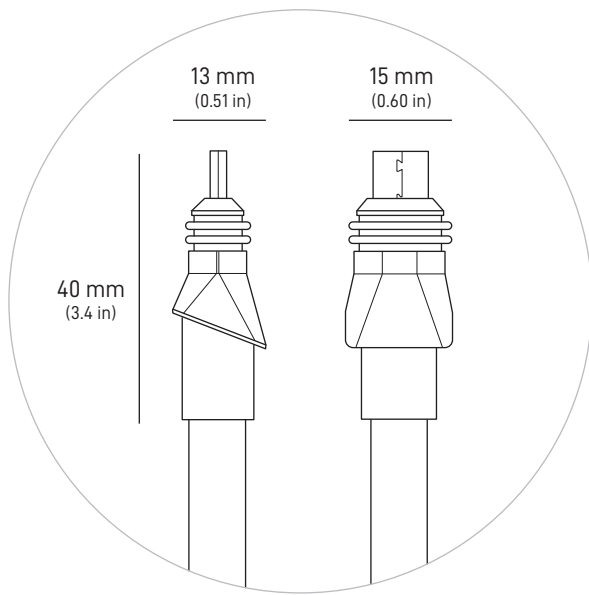
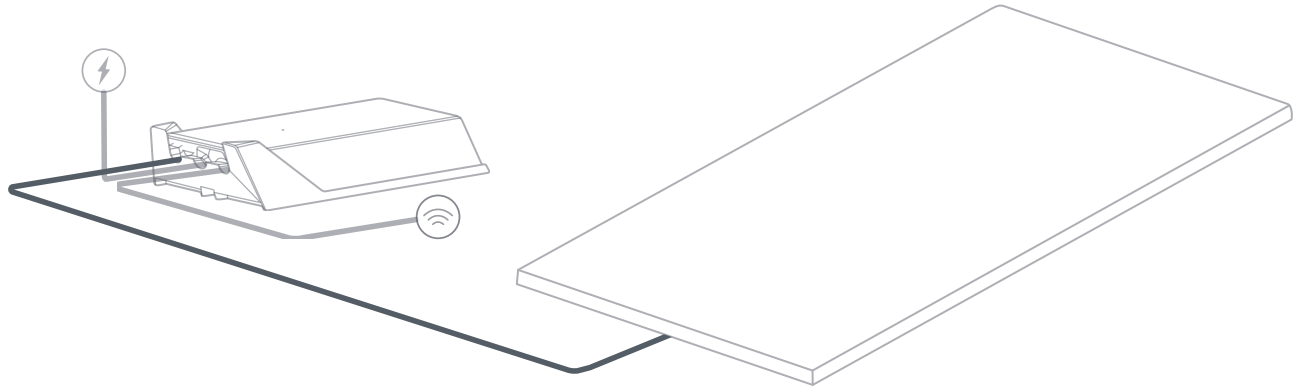
Antenna	Electronic Phased Array
Field of View	110°
Orientation	Software Assisted Manual Orienting
Environmental Rating	IP67 Type 4
Operating Temperature	-30°C to 50°C (-22°F to 122°F)
Wind Speed	Operational: 96 kph+ (60 mph+)
Snow Melt Capability	Up to 40 mm / hour (1.5 in / hour)
Power Consumption	Average: 75 - 100 W





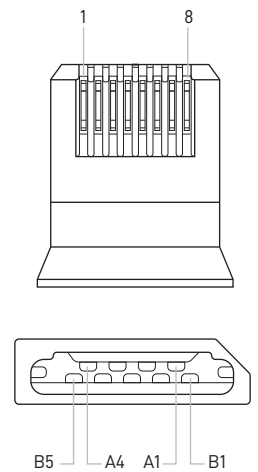
Environmental Rating	IP66
Operating Temperature	-30°C to 50°C (-22 to 122°F)
Weight	1.5kg (3lbs)
Grounding	Dedicated Earth Terminal
Power Specifications	100-240V - 6.3A 50 - 60 Hz
Mounting	Included Mount

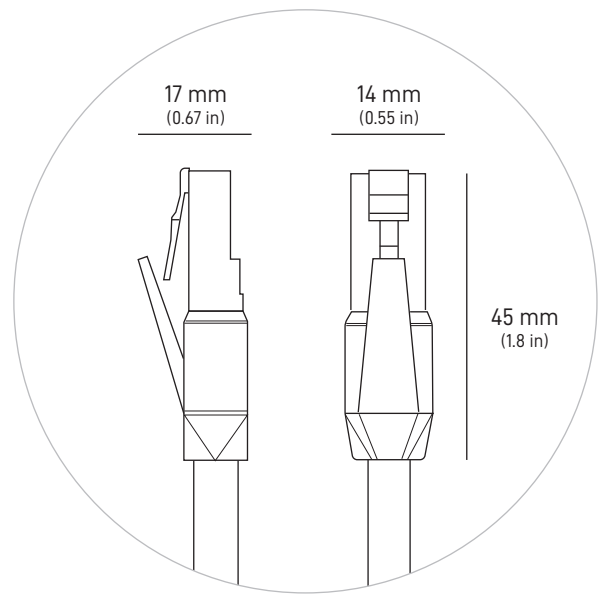
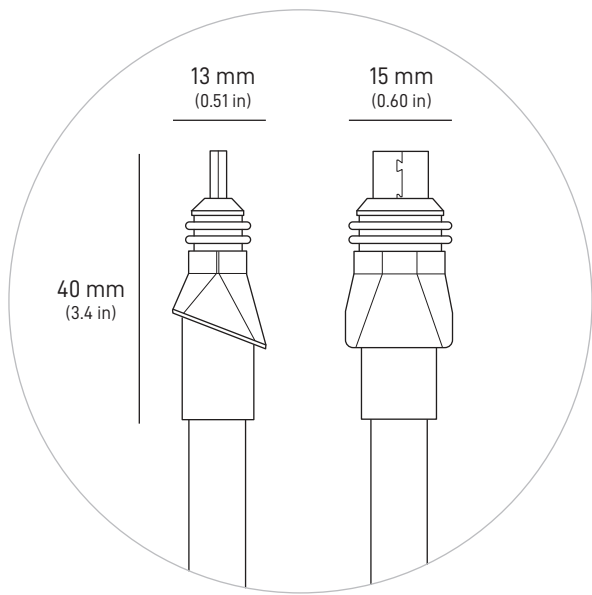
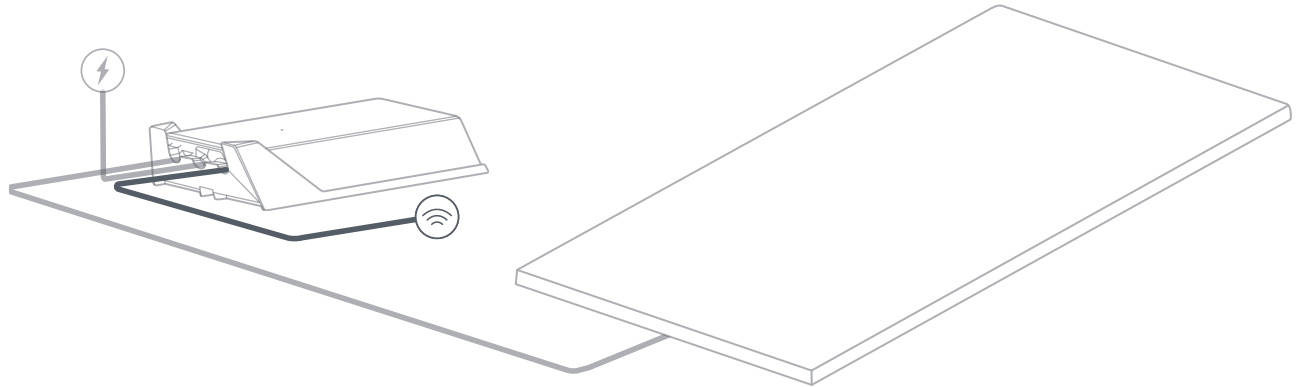




End	Pin	Wire Color
Dish	1	Blue
	2	White
	3	Green
	4	Purple
	5	Orange
	6	Yellow
	7	Brown
	8	Gray
	SHIELD	Drain Wire

Wire Color	Pin	End
Green	A1	Power Supply
Yellow	A2	
Blue	A3	
White	A4	
Orange	B1	
Purple	B2	
Brown	B3	
Gray	B4	
Drain Wire	B5	
Drain Wire	SHEILD	





End	Pin	Ethernet Pin	Wire Color	Pin	End
RJ45	A1, A2	B+	Orange White	A1, A2	Power Supply
	A3, A4	B-	Orange	A3, A4	
	A5, A6	A+	Green White	A5, A6	
	A7, A8	A-	Green	A7, A8	
	B1, B2	--	N / C	B1, B2	
	B3, B4	--	N / C	B3, B4	
	B5	D+	Brown White	B5	
	B6	D-	Brown	B6	
	B7	C-	Blue White	B7	
	B8	C+	Blue	B8	
	B9, B10	--	N / C	B9, B10	
	B11, B12	--	N / C	B11, B12	
	Shield Can		Drain Wire	Shell	

